

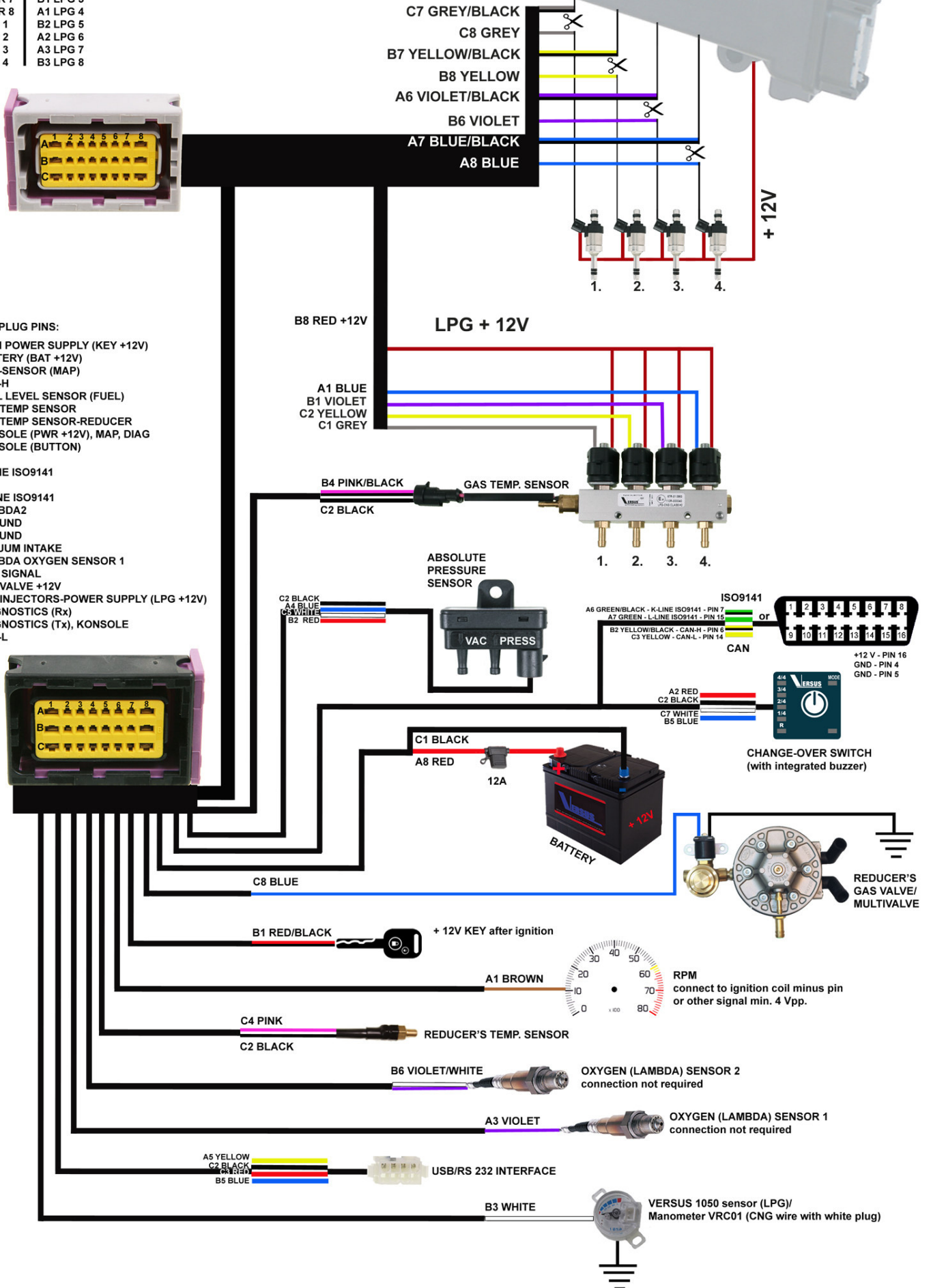
VERSUSGAS "V" OBD WIRING 4-CYL. SCHEME

GREY PLUG PINS:

| | |
|-----------|----------|
| C8 PETR 1 | B5 ECU 5 |
| B8 PETR 2 | C5 ECU 6 |
| B6 PETR 3 | A4 ECU 7 |
| A8 PETR 4 | C4 ECU 8 |
| A5 PETR 5 | C1 LPG 1 |
| C6 PETR 6 | C2 LPG 2 |
| B4 PETR 7 | B1 LPG 3 |
| C3 PETR 8 | A1 LPG 4 |
| C7 ECU 1 | B2 LPG 5 |
| B7 ECU 2 | A2 LPG 6 |
| A6 ECU 3 | A3 LPG 7 |
| A7 ECU 4 | B3 LPG 8 |

BLACK PLUG PINS:

| |
|--|
| B1 MAIN POWER SUPPLY (KEY +12V) |
| A8 BATTERY (BAT +12V) |
| A4 MAP-SENSOR (MAP) |
| B2 CAN-H |
| B3 FUEL LEVEL SENSOR (FUEL) |
| B4 LPG TEMP SENSOR |
| C4 LPG TEMP SENSOR-REDUCER |
| A2 CONSOLE (PWR +12V), MAP, DIAG |
| C7 CONSOLE (BUTTON) |
| B7 N.C. |
| A7 L-LINE ISO9141 |
| C6 N.C. |
| A6 K-LINE ISO9141 |
| B6 LAMBDA2 |
| C1 GROUND |
| C2 GROUND |
| C5 VACUUM INTAKE |
| A3 LAMBDA OXYGEN SENSOR 1 |
| A1 RPM SIGNAL |
| C8 LPG VALVE +12V |
| B8 LPG INJECTORS-POWER SUPPLY (LPG +12V) |
| A5 DIAGNOSTICS (Rx) |
| B5 DIAGNOSTICS (Tx), KONSOLE |
| C3 CAN-L |



OXYGEN (LAMBDA) SENSOR 2
connection not required

OXYGEN (LAMBDA) SENSOR 1
connection not required

VERSUS 1050 sensor (LPG)/
Manometer VRC01 (CNG wire with white plug)